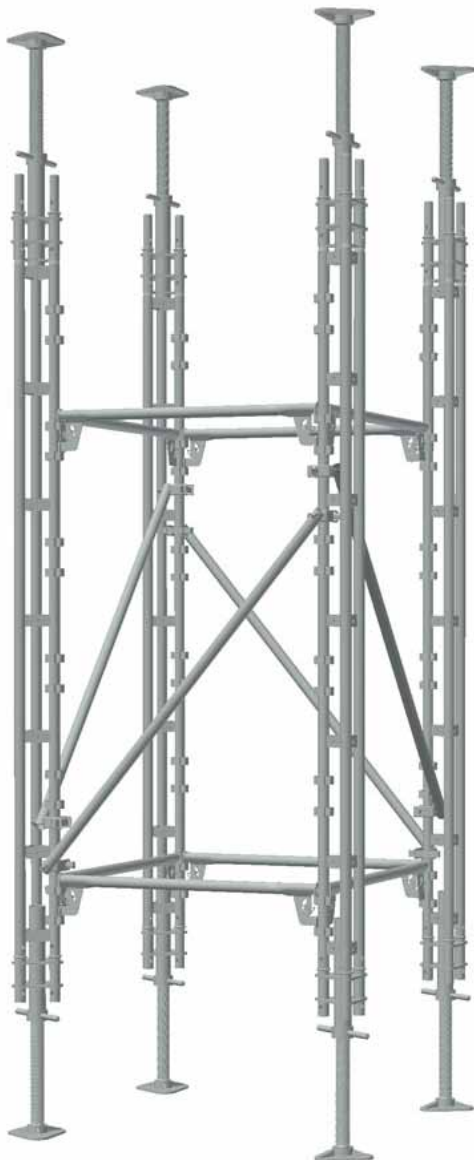


# HAKI Tripod



The HAKI Tripod as shoring tower with a permissible load of up to 800 kN (80 tons) per tower



The HAKI Tripod for large standard loads in tall stair towers



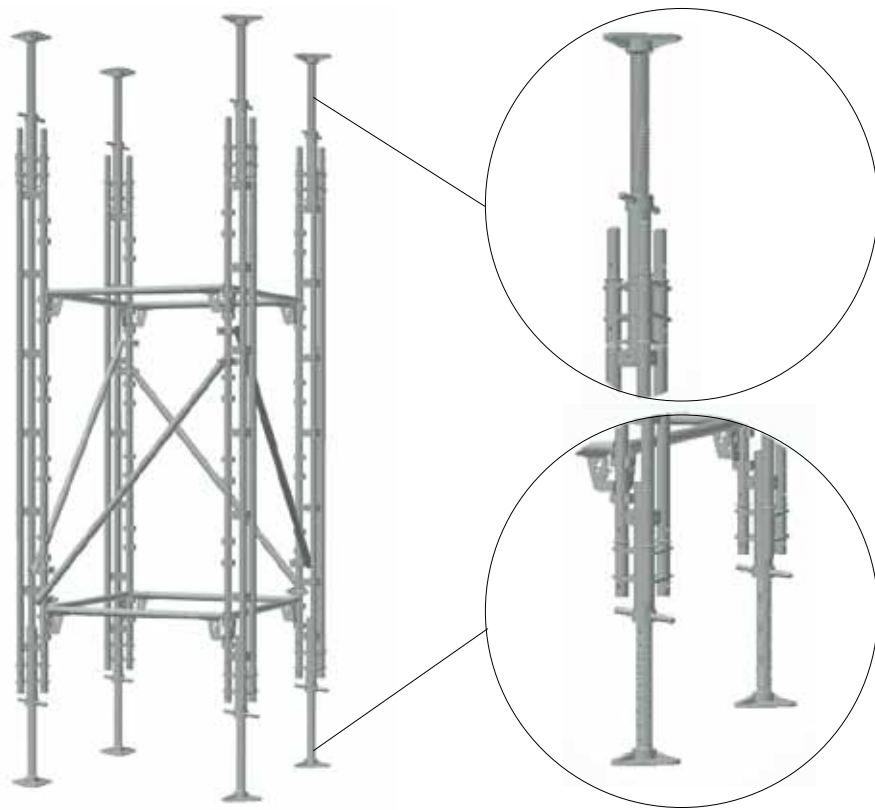
The HAKI Tripod for large standard loads in loading towers

**The HAKI Tripod** is designed for really demanding jobs. It copes with extremely heavy loads and can be used as a track for the HAKITEC weather protector or as a beam. Fully compatible with the HAKI Universal and as horizontals and diagonals, it uses standard HAKI Universal components. Start with the HAKI Tripod as an upright and finish with a standard FSSH when the load has decreased.

- As a shoring system
- For greater standard loads in, for example, loading towers and tall stair towers
- For the base of scaffolding where space is limited
- For great tying-in intervals with significantly greater load than for normal standard

Examples of permissible loads per tripod

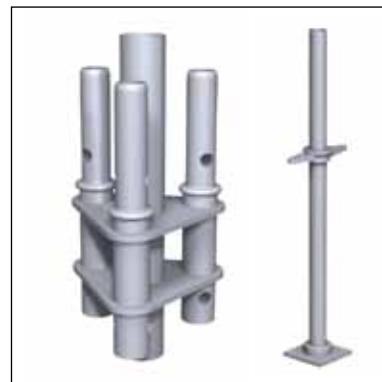
- With a single base jack BS in one tube – up to 50 kN (5 tons)
- With base jack BS 48 and adapter tripod 48 – up to 80 kN (8 tons)
- With base jack BS 60 and adapter tripod 60 – up to 200 kN (20 tons)



- 7203340** Tripod 500 (10.0 kg)
- 7203341** Tripod 1000 (17.3 kg)
- 7203342** Tripod 2000 (31.8 kg)
- 7203343** Tripod 3000 (45.8 kg)



- 7155100** Fork head BVV tripod (3.0 kg)
- 7203309** Head plate tripod (6.3 kg)
- 2071000** Base jack BS (5.0 kg)



- 7203311** Adapter tripod 48 (10.0 kg)
- 2071048\*** Base jack BS 48 (10.0 kg)



- 7203312** Adapter tripod 60 (11.6 kg)
- 2071061** Base jack BS 60 (15.6 kg)

**Permissible HAKI tripod loads for various tying-in intervals [kN]**

| Tying-in interval [m]       | 2.0   | 2.5   | 3.0   | 3.5   | 4.0   | 4.5   | 5.0  | 5.5  | 6.0  |
|-----------------------------|-------|-------|-------|-------|-------|-------|------|------|------|
| HAKI Tripod stål            | 400.0 | 387.0 | 269.0 | 198.0 | 151.0 | 119.0 | 96.8 | 80.0 | 67.2 |
| BS i ett rör                | 50.0  | 50.0  | 50.0  | 50.0  | 50.0  | 39.8  | 32.3 | 26.7 | 22.4 |
| BS 48 med adapter tripod 48 | 80.0  | 80.0  | 80.0  | 80.0  | 80.0  | 80.0  | 80.0 | 80.0 | 67.2 |
| BS 60 med adapter tripod 60 | 200.0 | 200.0 | 200.0 | 198.0 | 151.0 | 119.0 | 96.8 | 80.0 | 67.2 |

1 kN = 100 kp

Permissible loads depend on the tying-in interval but are also determined by the permissible load on the base jack used. The HAKI Tripod is tested according to SS-EN 12811.

